



S W Hart & Co ®

MAKE HART MODEL WG

Full Chevron Wall Grille

FEATURES :

- ⊙ Wall mount return grille
- ⊙ Removable inner core or hinged core with filter is available
- ⊙ Free area - approximately 50%
- ⊙ Aluminium construction
- ⊙ Standard powder coat finish in satin white or clear anodized
- ⊙ Alternative colours are available on request



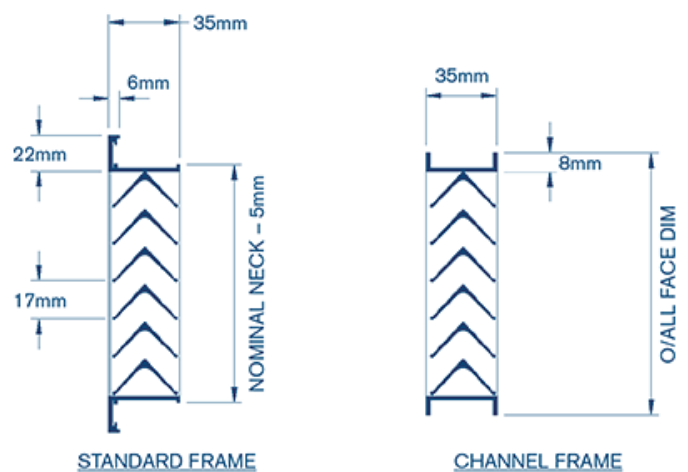
ACCESSORIES :

- ⊙ Opposed Blade Damper
- ⊙ Filter

INSTALLATION :

- ⊙ Wall

DIMENSION :



WG - STANDARD SIZES :

- ⊙ Made to order



S W Hart & Co ®

Specifications

AERO VEE SECTION RETURN AIR GRILLES

PRESSURE LOSS GRAPH - TYPE WG

